



Sector Specific Solutions for Fluid Power

Your Technology Specialist

simrit[®]

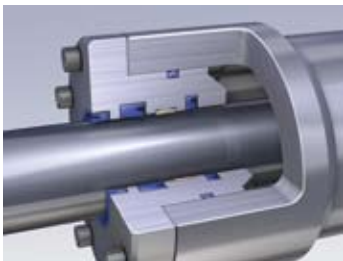
Merkel rod seal and wiper systems



PRW 1 T 20 OMS-MR PR

Combination PRW 1 – T 20 – OMS-MR PR

- Functional safety even under extreme operating conditions (e.g. pressure peaks > 500 bar)
- Low friction
- Highest tightness even for long strokes. Suitable for very low and fast running speeds (e.g. loading crane)



AU PS T 20 Syprim SM

Combination AU PS – T 20 – Syprim SM

- Functional safety even under extreme operating conditions (e.g. pressure peaks > 500 bar)
- Highest tightness even with high volumes of dirt and temperature fluctuations (e.g. construction machinery)
- Simple installation

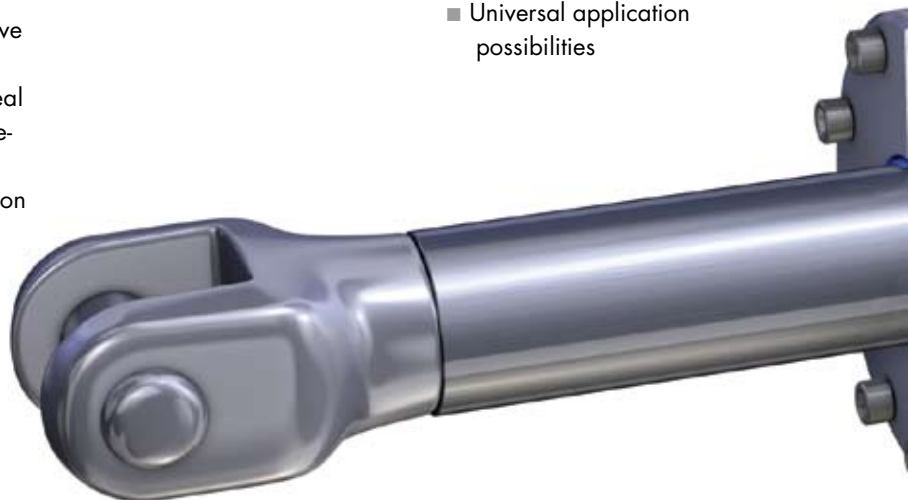


PRW 1 T 20

Combination PRW 1 – T 20

- Optimal price/performance ratio
- Highest tightness through additional seal and pressure relief functions (patented) incorporated into the wiper
- Less space needed and simple installation
- Universal application possibilities

Rod seals (according to ISO 5597/1) and wipers (according to ISO 6195) are decisive for the reliable function of a hydraulic cylinder. The rod seal has to seal reliably for all operating conditions. The wiper prevents dirt and contamination from entering the hydraulic system.



Merkel piston seals



Piston seals (according to ISO 7425) enable the desired direction of motion of the piston rod. Double-acting seals that can be pressurised from both sides are normally used.



Simko 300

Simko 300 (Polyurethane)

- Highest tightness ensures security against drift/dropping
- Optimal price/performance ratio
- Simple installation
- Universal application possibilities



OMK-MR

OMK-MR (PTFE)

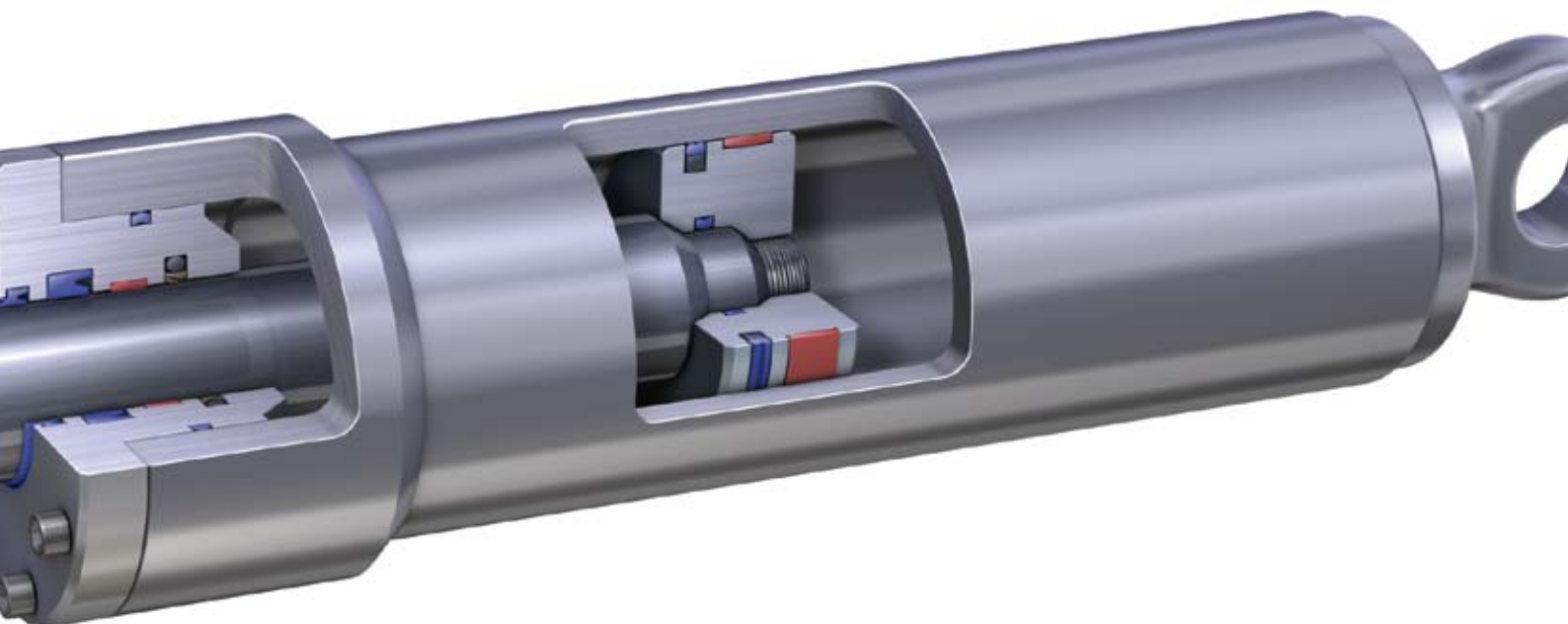
- Suitable for extremely low or high running speeds (< 0.05 m/s ... > 0.8 m/s)
- For high temperatures (up to 200°C)
- Very low friction



HDP 330

HDP 330 (Polyamide)

- For applications with extreme operating conditions (e.g. construction machinery, pressure peaks > 500 bar)
- Large surface roughness acceptable
- Running over bore holes possible



Merkel rod and piston guides



Guide elements for rods and pistons according to ISO 10766 – made perfect for the highest functional safety. Rods and piston guides separate the metallic counter running surfaces. They must compensate high loads that are created by the introduction of external forces. We have developed special calculation programmes for the exact dimensioning taking into account all important parameters.



Guivex
SBK/KBK

Guivex SBK/KBK

- Very high loading capacity (up to 80 N/mm²)
- Functional safety even under extreme conditions (e.g. tangential deviation) through patented Guivex geometry



SB/KB
(fabric-base
laminate)

SB/KB (Hartgewebe)

- High loading capacity (up to 50 N/mm²)
- Secure function even at high temperatures through phenolic resin material matrix



FRI/FRA
(Thermoplastic)

FRI/FRA (Thermoplast)

- Able to work under loads up to 40 N/mm²
- Optimal price/performance ratio
- Simple installation



The new sealing standard for hydraulic cylinders

With innovative sealing solutions, Simrit sets a new standard with regards to efficiency and function of hydraulic cylinders.

Efficiency and reliability are essential parameters in the sealing technology in order to securely seal the complex and application-specific constructions in modern hydraulic cylinders. With classic sealing solutions, due to the great number of sealing geometries and materials, achieving reliable sealing often involved high economic expense. With its new generation of sealing systems, Simrit has succeeded in offering a standardisation which allows cost efficiency for the procurement and installation and outstanding sealing results to be reduced to a successful common denominator for the first time.

Continuous innovative power thanks to branch know-how and technological competency

As branch specialist for hydraulic applications, Simrit has been offering leading sealing technology for years with its Merkel sealing programme. With founded application know-how and incomparable materials competency worldwide, we continuously improve the performance and application possibilities of our products.

You profit from this as a Simrit customer in numerous ways: The reliable securing of your hydraulic components with our innovative sealing technology increases the functionality and productivity of your entire system. Continuously making available new technologically mature products opens up sustainable competitive advantages. The high degree of efficiency of our solutions offers you real added value in the use of your products.

Fast and flexible

A further advantage that you can count on with Simrit: Our flexibility and rapid reaction time for your sealing technology requirements makes us the ideal partner for all applications of hydraulic systems. Short delivery times – even within 24 hours – ensures rapid availability and relieves your stocks. We also react quickly with all the required components for repairs.

www.simrit.com

Simrit Americas

Plymouth, Michigan, USA
Tel: +1 (866) 274 6748
Fax: +1 (734) 354 5500
E-mail: information@simrit.us

Simrit Europe

Weinheim, Germany
Tel: +49 (0) 18 05 - 74 67 48
Fax: +49 (0) 18 03 - 74 67 48
E-mail: info@simrit.de

Simrit China

Shanghai, China
Tel: +86 (21) 50 36 - 69 00
Fax: +86 (21) 50 36 - 63 07
E-mail: simrit@nfgc.com.cn

simrit[®]